

Collection

BOLD

Article

B2200

Description

Monohole washbasin mixer

Box Dimensions

240 x 215 x 110 mm

Weight

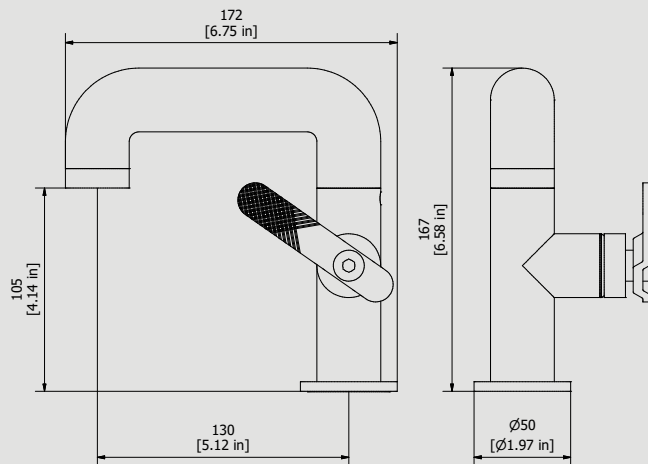
2.5 kg

Finishes

- **CC**
CHROME
- **CF**
BLACK CHROME
- **OO**
GOLD
- **MB**
MODERN BRONZE
- **SS**
BRUSHED NICKEL
- **CS**
BRUSHED BLACK CHROME
- **BO**
MATT WHITE
- **NP**
MATT BLACK
- **IS**
BRUSHED PALE GOLD
- **OS**
BRUSHED GOLD
- **II**
PALE GOLD
- **RR**
ANTIQUE COPPER
- **RS**
ROSE GOLD
- **ON**
NATURAL BRASS
- **SR**
BRUSHED ROSE GOLD
- **OPL**
PLATINUM



Dimensions



Cartridge

Ø25 ceramic cartridge

Hoses

Inox hoses G3/8" female 450 mms long

Aerator

M24x1

Flow Rate (+/-10%)

1 BAR	2 BAR	3 BAR
3.3 l/min	4.4 l/min	4.5 l/min

Production

Main body is a single hot stamped pieces

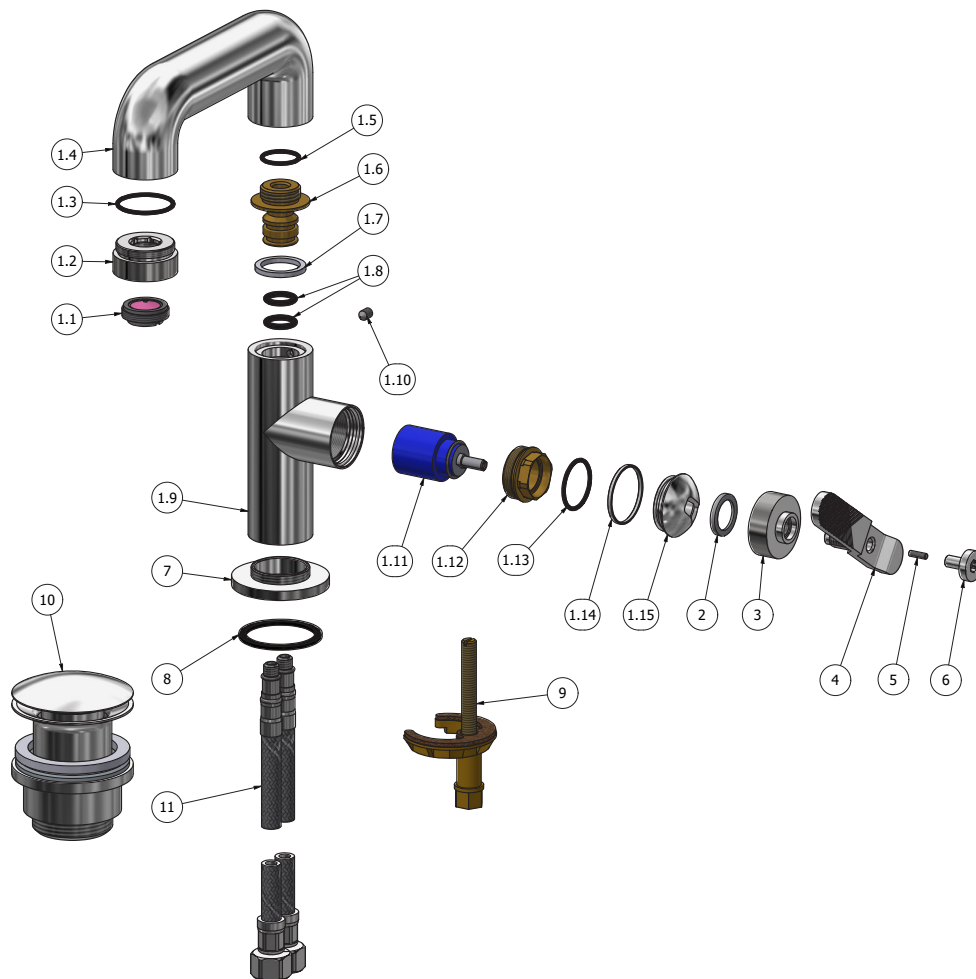
Material

BRASS
According to CuZn42 (CW510L)
Max Lead content: 0.2%



WE ARE IB

ELENCO PARTI				
ELEM.	CODICE	DESCRIZIONE	FIN	QTÀ
1	CPBD200CC-1	Premontato lavabo	-	1
1.1	AQ0015355	Perlator coin slot M24x1 1.2 gpm (45.2060.000)	-	1
1.2	AC0015160	Porta aeratore Ø33 M30x1.5 H16 zigrinato	F	1
1.3	AQ0010564	OR 26.7x1.78 NBR 70 SH	-	1
1.4	CC0002320	Bocca Ø33 H62 L163	F	1
1.5	AQ0004630	OR 17.16x1.78 NBR 70 SH	-	1
1.6	AS0015161	Inserito porta bocca Ø30 G1/2" L30.4	G	1
1.7	AQ0007140	Anello antifrizione Ø26 Ø20.3 H2.5	-	1
1.8	AQ0001360	OR 11.91x2.62 NBR 70 SH	-	2
1.9	CC0002270-TI	Corpo lavabo Ø33 H100 L56.5	F	1
1.10	AQ0010869	Grano inox M5x8 p.c.	-	1
1.11	AQ0015157	Cartuccia ceramica Ø25 chiusa Ø5,9 x 4,9 (K25 OPC B)	-	1
1.12	AS0015162	Ghiera premicartuccia Ø28.5 H14.5 M27x1	G	1
1.13	AQ0009815	OR 23.52x1.78 NBR 70 SH	-	1
1.14	AQ0015158	Anello antifrizione Ø30.8 Ø29 H2.2	-	1
1.15	AC0016153	Coprighiera Ø33 H14.8 R20	F	1
2	AQ0015291	Anello antifrizione Ø21.8 Ø16 H2.8	G	1
3	AC0015164	Copertura leva Ø33 H15 zigrinato	F	1
4	CC0002276	Leva 18 L94 H30.5 M10x1	F	1
5	AQ0015357	Grano inox M3x10 p.p.	-	1
6	AC0015166	Vite Ø16 M3 H16	F	1
7	AC0015167	Basetta Ø50 M30x1 H10 zigrinato	F	1
8	AQ0008012	Guarnizione piana 42.5x35.5x2	-	1
9	AQ0015159	Confezione di fissaggio tirante M8x100, dado e flangia	-	1
10	AQ0009837	Scarico simple rapid 1"1/4	F	1
11	AQ0011013	Flex inox M8x1 G3/8" L450 cianf. ridotta	-	2



IB RUBINETTERIE s.p.a
via dei Pianotti 3/5
25068 Sarezzo (BS) - Italy -

T. +39 030 802101
F. +39 030 803097
info@weareib.it

P.IVA 01785230986
capitale sociale
€420.000,00 i.v.

www.weareib.it





WARRANTY

All IB Rubinetterie SpA products are warranted for 10 years from the date of purchase, for the following cases:

- Defects of casting, porosity and chrome plating.
- Operating defects caused by incorrect fabrication.

The warranty provides for repair or replacement of products with fabrication defects recognized by our technical office. There is no other type of compensation anche the merchandise must be returned FOB our warehouse. The warranty only cover surface defects (scartches, dings, etc.) on fitting that have not been installed and used, returned in its original packaging with all components. O-ring, gasket seals and components subject to wear proportional to use are warranted for 2 years.

The warranty is void in the following cases:

Error installing and putting the product into service.

Deterioration of finished surfaces due to use of cleaning products containing acids or abrasive substances.

Deterioration of surface with finishes other than chrome plating. Their durability is, in fact, dependent on the user's care and gentleness of use.

Deterioration of the fitting due incorrect installation.

Improper repairs and maintenance performed without the company's prior authorization.

The warranty from IB Rubinetterie SpA is not renewable.

Cleaning

We recommended cleaning the finish surfaces with water and soap, using a soft cloth.

Do not use detergents that contain hydrochloric acid or abrasive substances.